

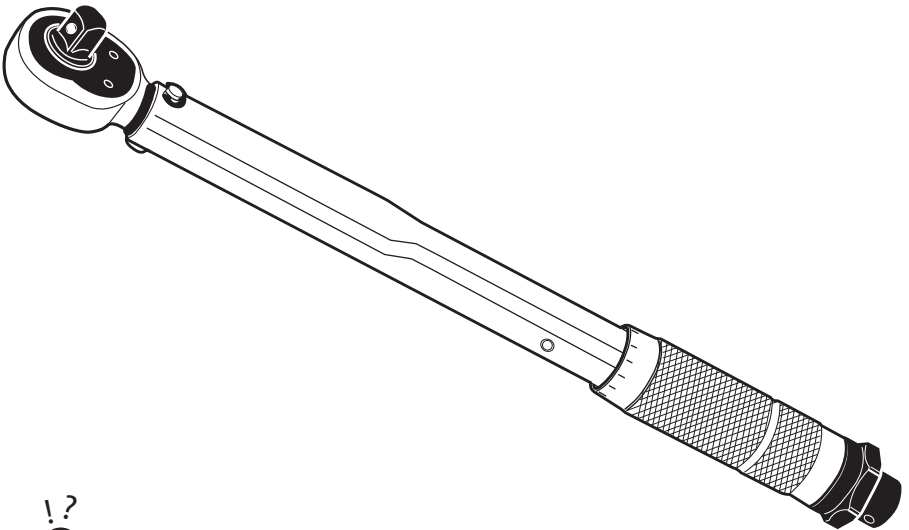
# TEKTON®

Model #  
24335

## TORQUE WRENCH OPERATOR'S MANUAL

---

STORE THIS MANUAL IN A SAFE  
PLACE FOR FUTURE REFERENCE



### NEED HELP?

888-648-3371  
[support@tekton.com](mailto:support@tekton.com)




Please read and understand entire manual, including all safety information, before using torque wrench. This tool is a precision measuring instrument. Handle with care and store properly. Do not attempt to increase leverage of this wrench with any other device. Failure to follow all instructions could result in damage to torque wrench, property damage, or injury.

- At low torque settings, pull wrench slowly to observe click.
- Wrench is shipped ready to use, calibrated and tested to an accuracy of +/- 4%. To maintain this accuracy, it is important that wrench is stored at lowest torque setting, 10 ft.-lb (13.6 Nm). This setting relieves extra tension on the internal spring, eliminating fatigue that can adversely affect accuracy.

## SETTING TORQUE READING

This is a dual-range torque wrench marked with foot pounds (ft.-lb.) and Newton meters (Nm) on opposite sides of handle.

The torque scale is marked on the handle body with more precise subdivisions on the knurled handle (Fig. A). In these instructions the handle body scale will be referred to as the "main scale" and the knurled handle scale will be referred to as the "micrometer scale".

 Tighten/adjust lock nut and knurled handle by hand only.

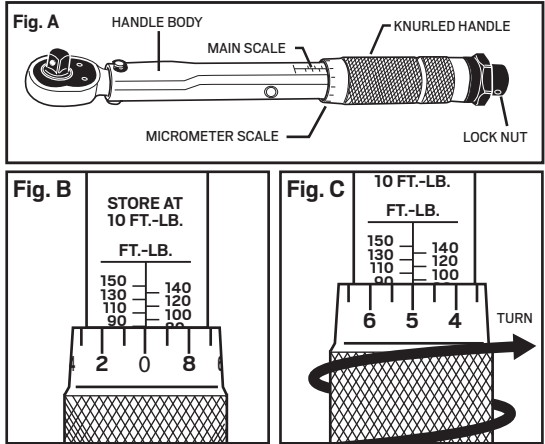
### Foot Pounds (Example reading: 95 ft.-lb.)

1. Locate lock nut on the end of handle. Unlock knurled handle by turning lock nut counterclockwise.
2. **COARSE SCALE ADJUSTMENT (Fig. B):** Using ft.-lb. scale, turn knurled handle until its top edge is even with the horizontal "90" mark on main scale and the "0" mark on micrometer scale is centered on vertical line of main scale.
3. **FINE SCALE ADJUSTMENT (Fig. C):** The micrometer scale divides the main scale markings into 10 divisions. Every micrometer scale marking equals 1 ft.-lb., also known as the minimum increment. To increase torque from 90 to 95, turn micrometer handle clockwise until "5" mark is centered on vertical line of main scale.  $90 \text{ ft.-lb. (main scale)} + 5 \text{ ft.-lb. (micrometer scale)} = 95 \text{ ft.-lb.}$
4. Lock torque setting by turning lock nut clockwise until snug. Wrench is now set to measure 95 ft.-lb. of torque and ready to use.

### Newton Meters (Example reading: 80.0 Nm)

Setting desired torque on the Nm scale uses the same procedure described above for ft.-lb. scale. The micrometer scale divides the main scale markings into 10 divisions. Every micrometer scale marking equals 1.36 Nm, also known as the minimum increment.

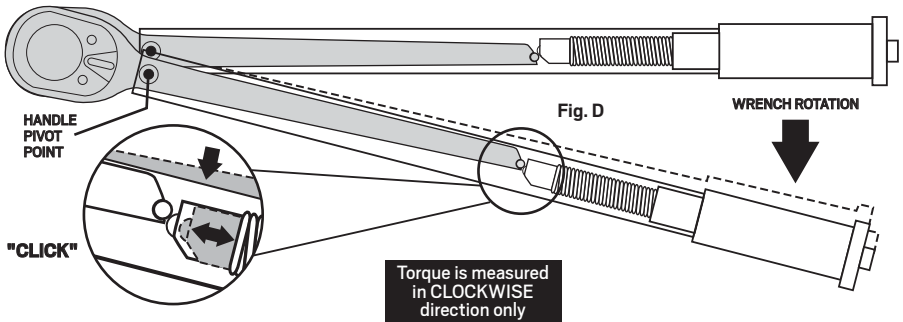
To set a torque value of 80.0 Nm, turn knurled micrometer handle until top is aligned with "67.8" mark on main scale and the "0" mark on micrometer scale is centered on vertical line of main scale. To increase torque from 67.8 Nm to 80.0 Nm, turn micrometer handle clockwise until the "9" mark is centered on vertical line of main scale.  $80.0 \text{ Nm} - 67.8 \text{ Nm} = 12.2 \text{ Nm}$ .  $12.2 \text{ Nm} \div 1.36 = 9$  micrometer scale markings. Wrench is now set to measure 80.0 Nm of torque and ready to use.



## WRENCH OPERATION

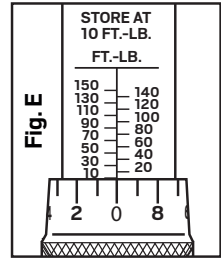
Fig. D illustrates the basic operation of the torque wrench. For accurate operation, grasp the knurled handle only and apply pulling force. When the desired torque setting is reached, the roller bearing and roller pin will roll over each other, causing a click you can hear and feel. NOTE: At low torque settings, click can be subtle. Use wrench in a quiet environment.

1. Install proper socket/attachment to square drive. Place socket on nut/bolt to be tightened.
2. Operate torque wrench the same as a standard socket wrench to tighten nut/bolt. As nut/bolt becomes snug, slow operation to a smooth, steady pull. Operating wrench too quickly or with too much force may cause you to miss the exact torque setting. At the instant the wrench clicks, torque setting has been reached. Stop pulling wrench and release pressure on handle. Do not continue to pull after torque setting is reached. Doing so will overtighten the nut/bolt and could damage wrench. Once pressure is released from the handle, wrench will automatically reset for next operation. NOTE: At low torque settings, use extra care to release wrench at the proper point after it clicks.
3. Wrench does not measure torque below 10 ft.-lb. (13.6 Nm).
4. Do not use wrench to break free stuck fasteners.



## MAINTENANCE AND STORAGE

1. If wrench has not been used for a long period of time, operate it several times at a low torque setting. This will allow internal lubricant to recoat moving parts.
2. When wrench is not in use, keep adjustment at lowest torque setting, 10 ft.-lb. (13.6 Nm) (Fig. E). Do not turn handle below lowest torque setting.
3. This wrench is a precision measuring instrument. Take care to operate wrench correctly. Store in a clean, dry environment.
4. Clean wrench by wiping with a clean, dry, lint-free cloth. Do not immerse in any type of liquid or cleaner. This may damage the internal components of the wrench.



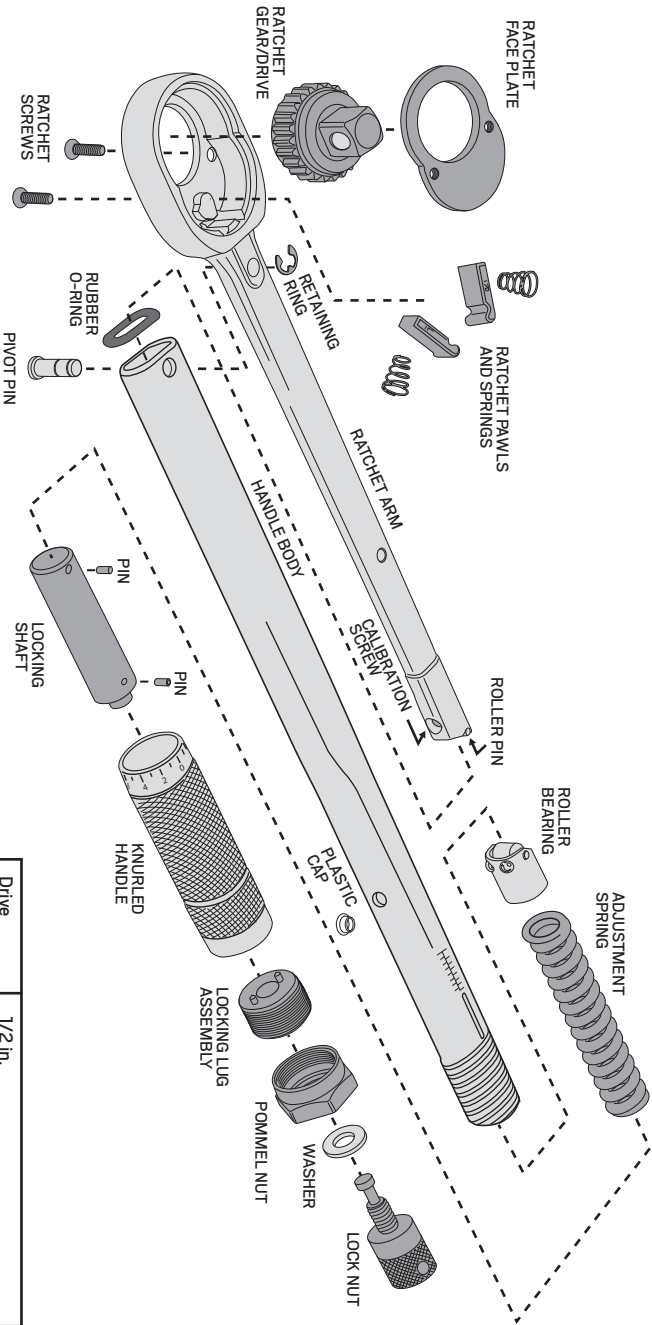
## TORQUE UNIT CONVERSION TABLE

FOOT POUNDS (ft.-lb.)	INCH POUNDS (in.-lb.)	NEWTON METERS (Nm)	NEWTON METERS (Nm)	FOOT POUNDS (ft.-lb.)	INCH POUNDS (in.-lb.)	INCH POUNDS (in.-lb.)	FOOT POUNDS (ft.-lb.)	NEWTON METERS (Nm)
5	60	6.78	10	7.37	88.51	100	8.34	11.29
10	120	13.55	20	14.75	177.01	150	12.50	16.94
15	180	20.33	30	22.12	265.52	200	16.67	22.59
20	240	27.11	40	29.50	354.03	250	20.83	28.24
25	300	33.89	50	36.87	442.53	300	25.00	33.89
30	360	40.67	60	44.25	531.04	350	29.17	39.54
35	420	47.45	70	51.63	619.55	400	33.33	45.19
40	480	54.23	80	59.00	708.06	450	37.50	50.84
45	540	61.01	90	66.38	796.56	500	41.67	56.49
50	600	67.79	100	73.75	885.07	550	45.83	62.14
55	660	74.56	110	81.13	973.58	600	50.00	67.79
60	720	81.34	120	88.50	1062.09	650	54.16	73.44
65	780	88.12	130	95.88	1150.59	700	58.33	79.09
70	840	94.90	140	103.25	1236.10	750	62.50	84.73
75	900	101.68	150	110.63	1327.61	800	66.67	90.38
80	960	108.46	160	118.01	1416.12	850	70.83	96.03
85	1020	115.24	170	125.38	1504.62	900	75.00	101.68
90	1080	122.02	180	132.76	1593.13	950	79.16	107.33
95	1140	128.80	190	140.13	1681.64	1000	83.33	112.98
100	1200	135.58	200	147.51	1770.15	1050	87.50	118.63
105	1260	142.36	210	154.88	1858.65	1100	91.67	124.28
110	1320	149.13				1150	95.83	129.93
115	1380	155.91				1200	100.00	135.58
120	1440	162.69				1250	104.16	141.23
125	1500	169.47				1300	108.33	146.88
130	1560	176.25				1350	112.50	152.53
135	1620	183.03				1400	116.67	158.17
140	1680	189.81				1450	120.83	163.82
145	1740	196.59				1500	125.00	169.47
150	1800	203.37				1550	129.16	175.12
						1600	133.33	180.77
						1650	137.50	186.42
						1700	141.67	192.07
						1750	145.83	197.72
						1800	150.00	203.37

### CONVERSIONS

1 ft.-lb. =	1 in.-lb. =	1 Nm =
0.138 m-kg	0.0833 ft.-lb.	0.737 ft.-lb.
12.0 in.-lb.	0.113 Nm	8.85 in.-lb.
1.35 Nm	0.0115 m-kg	0.102 m-kg
13.8 cm-kg	1.15 cm-kg	10.2 cm-kg

**NOTE:** Exploded view diagram provided for illustration purposes only. Do not disassemble any part of torque wrench. There are no user-serviceable parts on or inside wrench. Parts shown and assembly may differ slightly based on model.



Drive	1/2 in.
Ratchet	24 Tooth
Length	18.5 in.
Dual Range	10 - 150 ft.-lb. and 13.6 - 203.5 Nm
Increment	1 ft.-lb. (1.36 Nm)
Accuracy	+/- 4%

**TEKTON®**  
 3707 Roger B Chaffee SE  
 Grand Rapids, MI 49548  
 Made in Taiwan

© 2017  
**TEKTON.COM**